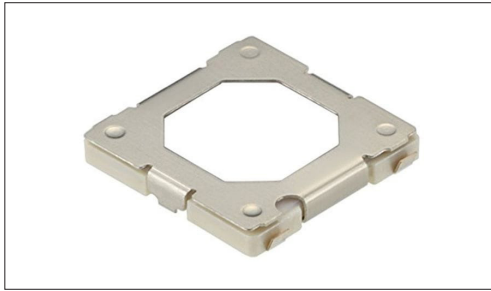


6.0mm Square Double Action Type (Surface Mount)

TS-A020

Thin-profile double-action type with a height of 0.9mm.



- Series type: Sharp feeling type
- Absolute Maximum Ratings: 50mA 12V DC
- Rating (min.): 10μA 1V DC

Applications: Audio\_TV:Cameras

■ Product List

Products No.	Operating direction	Operating force (N)	Travel (mm)	Operating life (cycles)	Initial contact resistance	Guide bosses	Dimensions (W×D×H) (mm)	Water-proof	Dust-proof	Automotive	Drawing No.
TS-A020-260	Top push	1st 0.78, 2nd 2.45	1st 0.25, All 0.4	30,000	100mΩ max.	Without	6.0×6.0×0.9	—	—	—	1

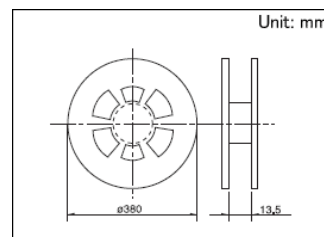
⚠ Note

1. This catalog shows only outline specifications. When using the products, please obtain formal specifications for supply.
2. Please place purchase orders for taping products per minimum order unit (1 reel or a case).

■ Packing Specifications

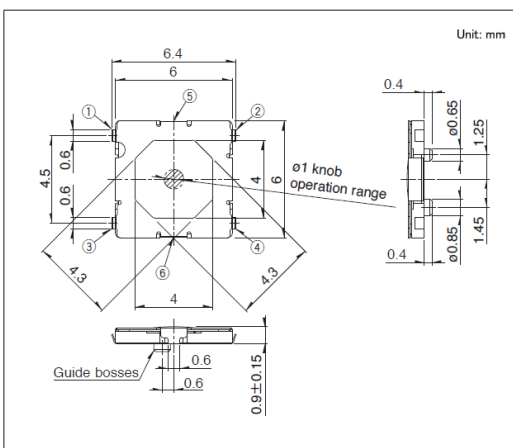
Taping

Number of packages (pcs.)			Tape width (mm)	Export package measurements (mm)
1 reel	1 case / Japan	1 case / export packing		
5,000	50,000	50,000	12	395 x 395 x 205

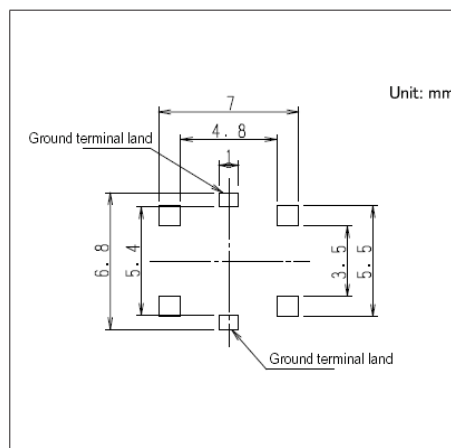


Drawing No.1

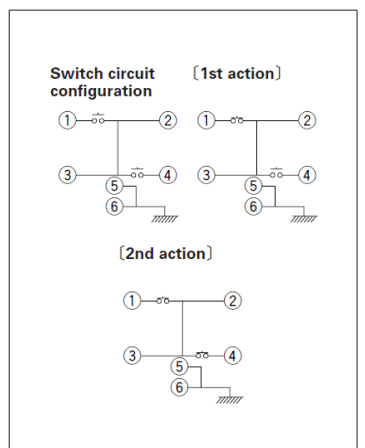
■ Dimensions



■ Land Dimensions



■ Circuit Arrangement



Viewed from mounting face.